

# C48 Cutter Stand Installation Guide



## Step 1

Attach Vertical Beams to Baseboards.



## Step 2

Attach Cross Beam to Vertical Beams.  
*Note: Make sure screw holes for the Roller Tubes Brackets are facing in.*



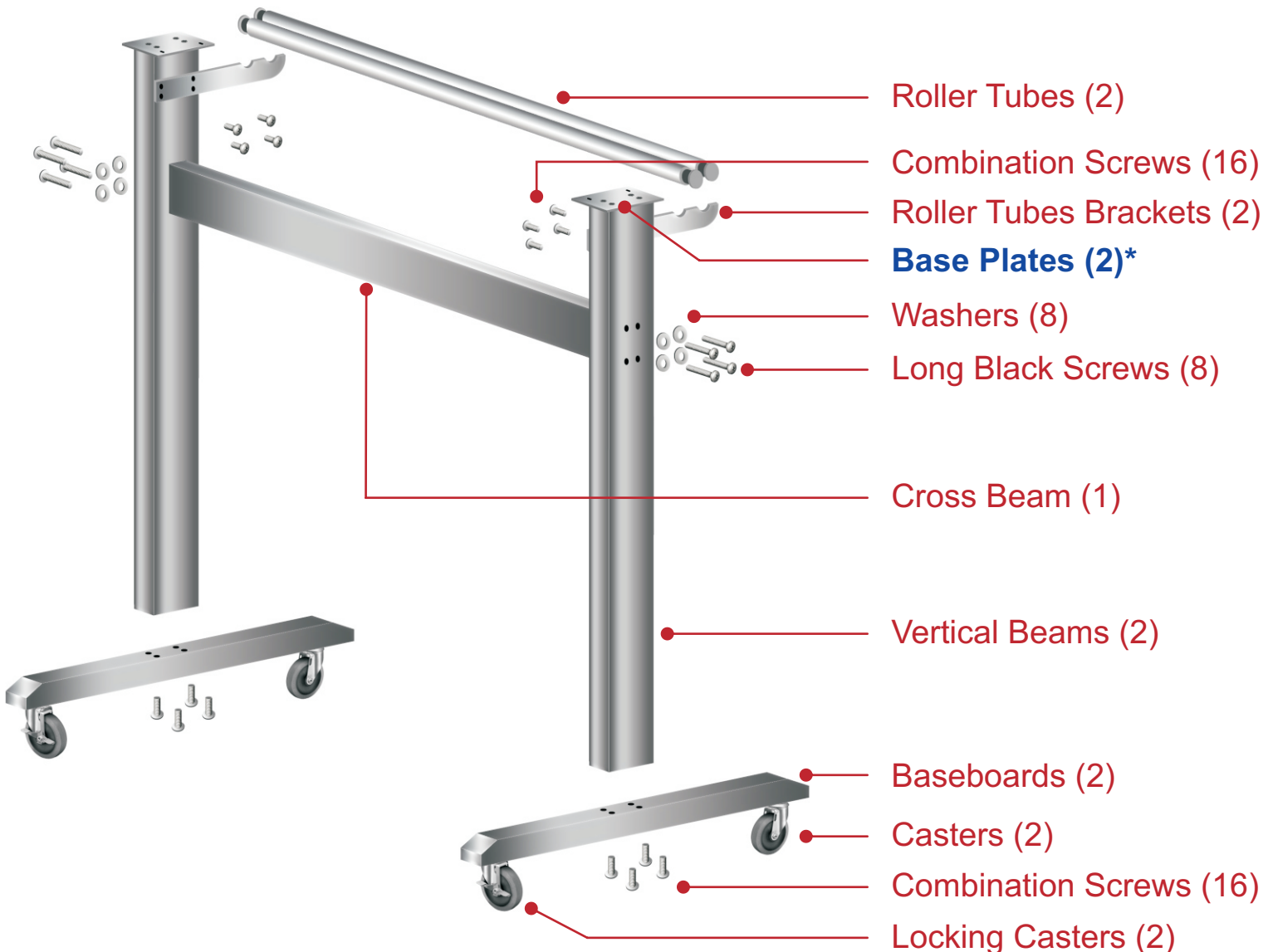
## Step 3

Attach Roller Tubes Brackets to Vertical Beams.



## Step 4

Screw in Casters.  
*Note: Place Locking Casters in front.*



\*Note: Base Plates are pre-attached and 4 Phillips Head Screws are included for attaching your cutter to the Base Plates.